

NOTE: Original documentation calls out for 1/8-27 ANTP thread.

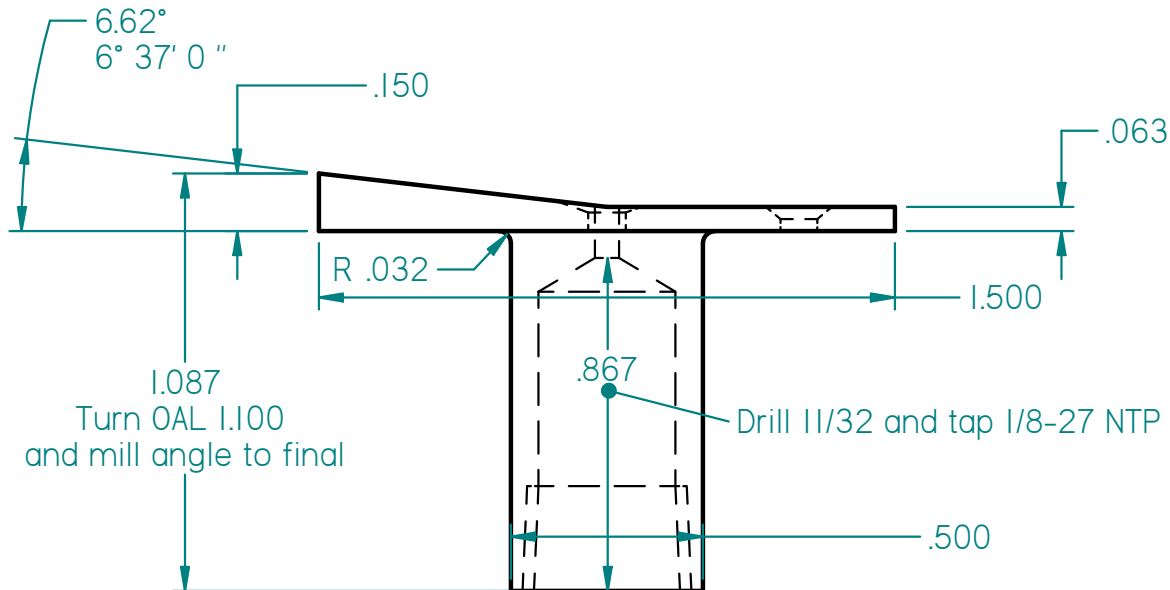
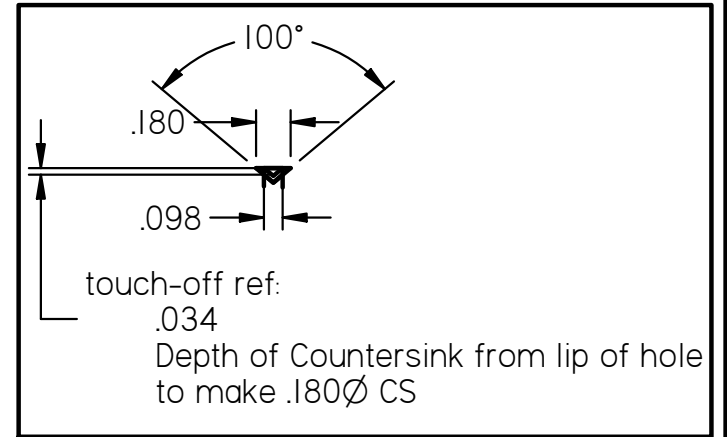
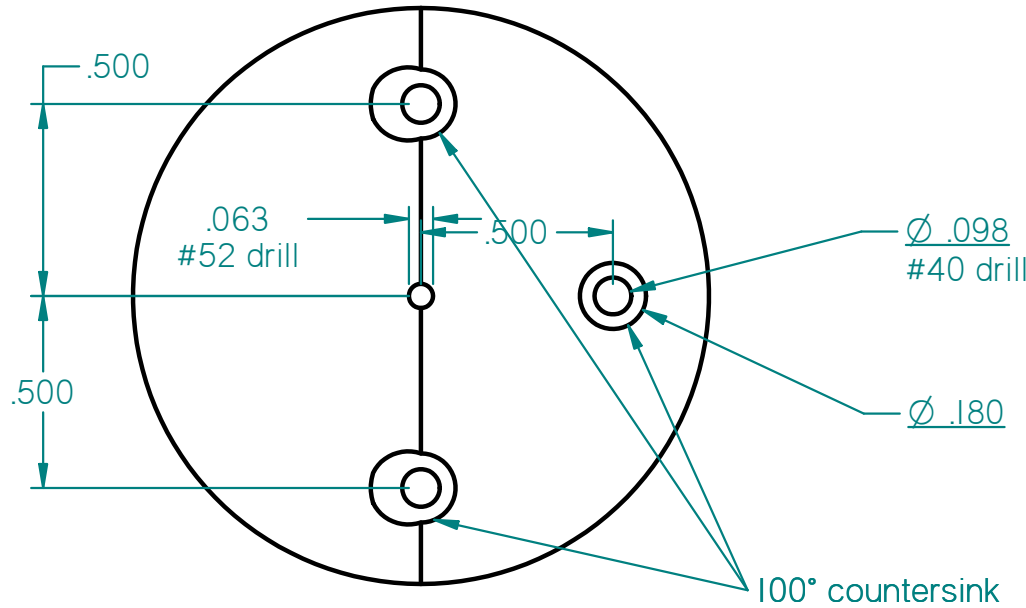
The requirements for ANPT (Aeronautical National Pipe Taper) screw threads are spelled out in ANSI SAE AS71051

The NPT and ANPT product screw threads in the sizes up to and including 2 inches are identical. Therefore the thread on this part will be revised to 1/8-27 NTP thread.

Drawing based on Glasair sketch of part number 521-1501-003 per Usergroup contact. NO TOLERANCES SPECIFIED

REVISION HISTORY

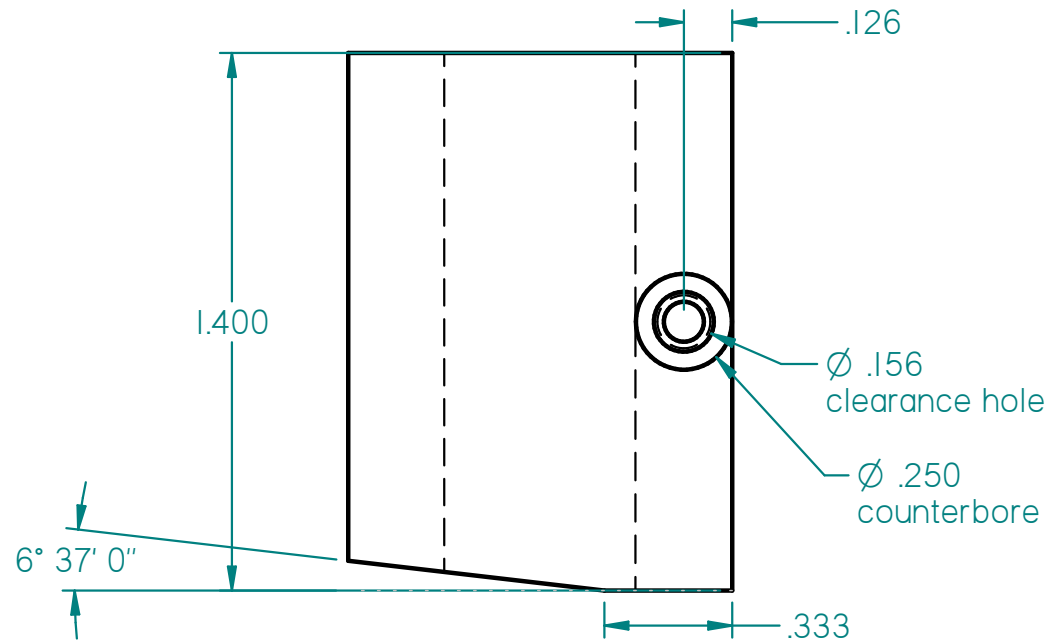
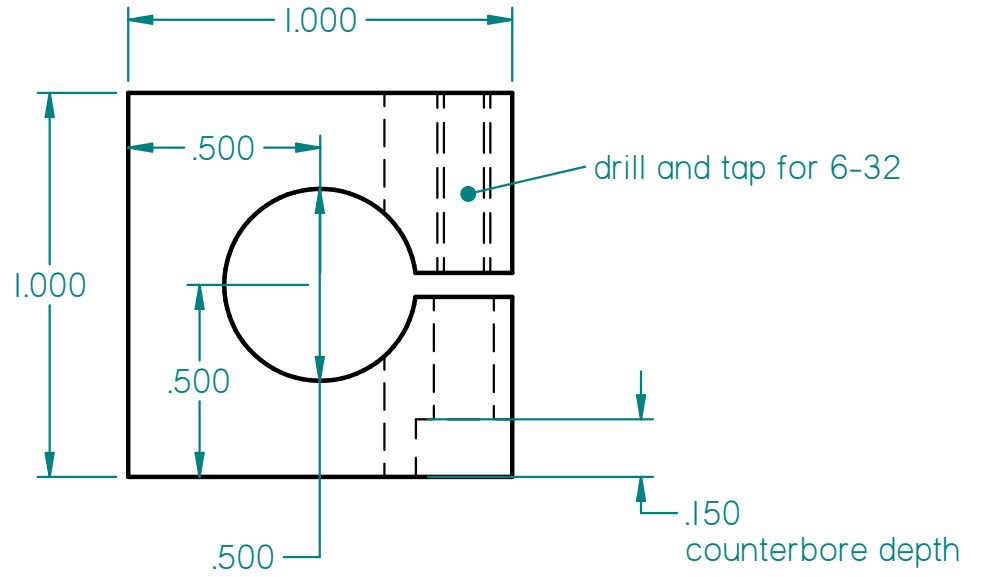
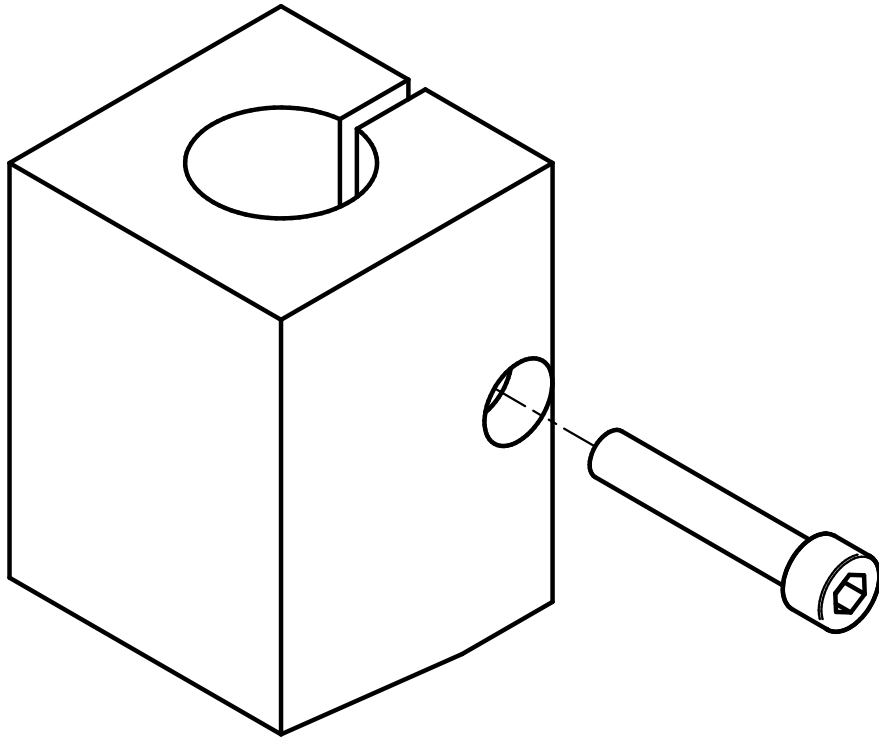
REV	DESCRIPTION	DATE	APPROVED



Material: 6061 T6511 or similar  
Tumble to obscure tool marks  
Finish: clear anodize

**KITPLANES**

TITLE			Static Port		
SIZE	DWG NO	REV			
A	521-1501-0030PA				
FILE NAME: staic port-003.dft					
SCALE:	WEIGHT:	SHEET 1 OF 1			



SOLID EDGE HOME USE

Material: aluminum