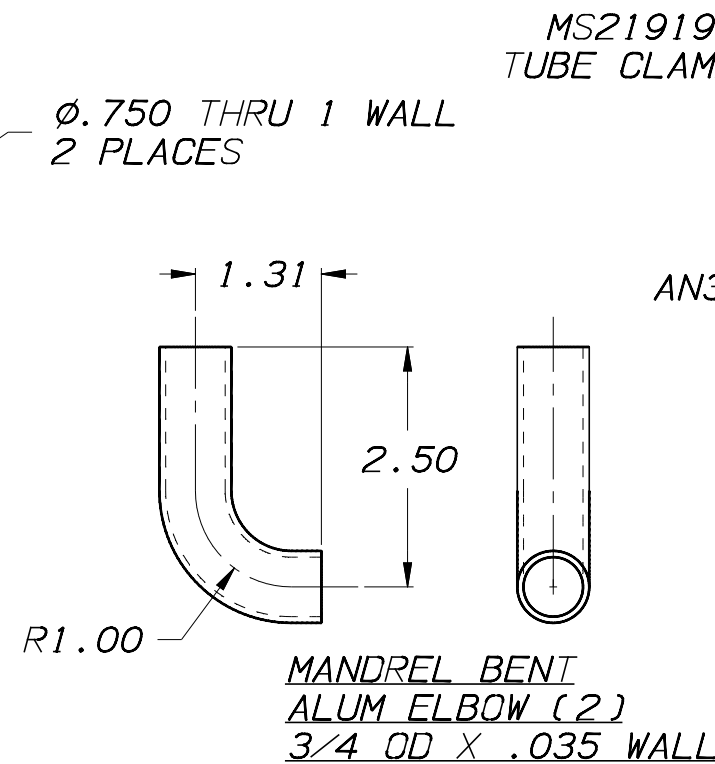
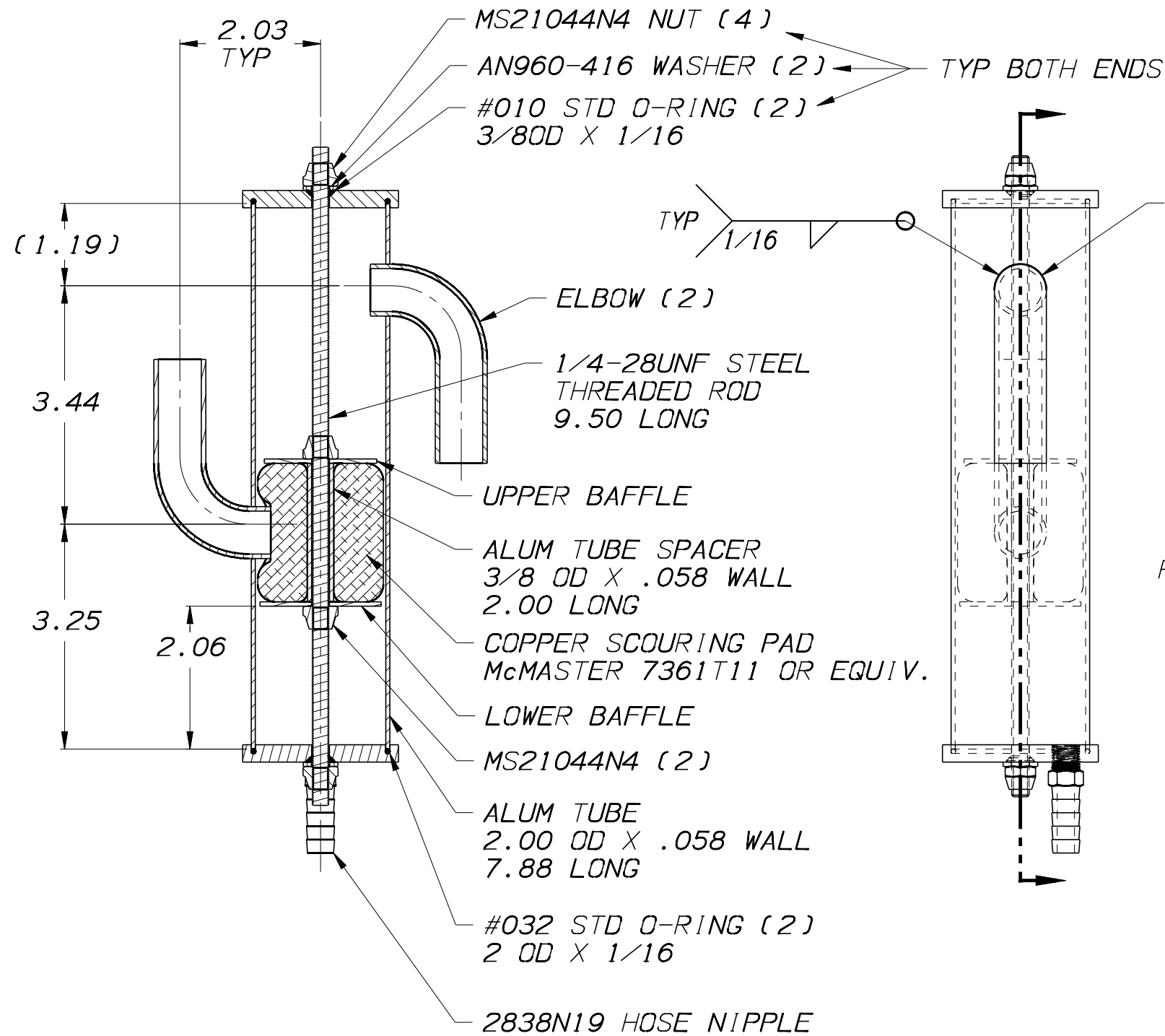
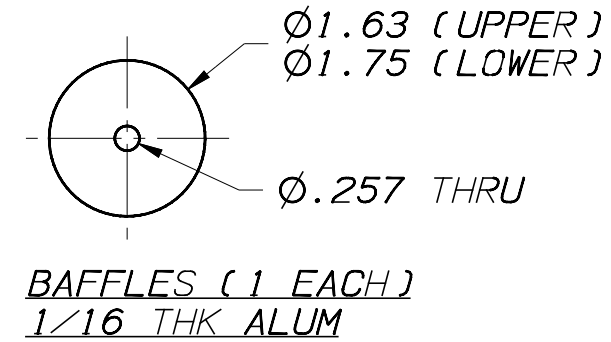
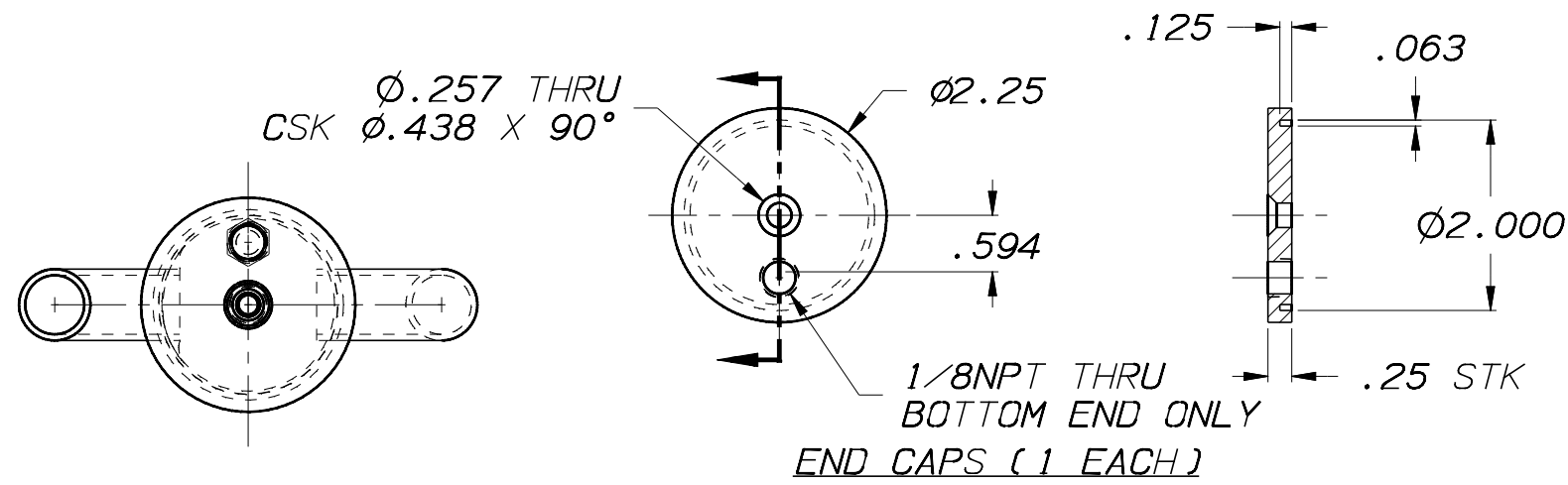
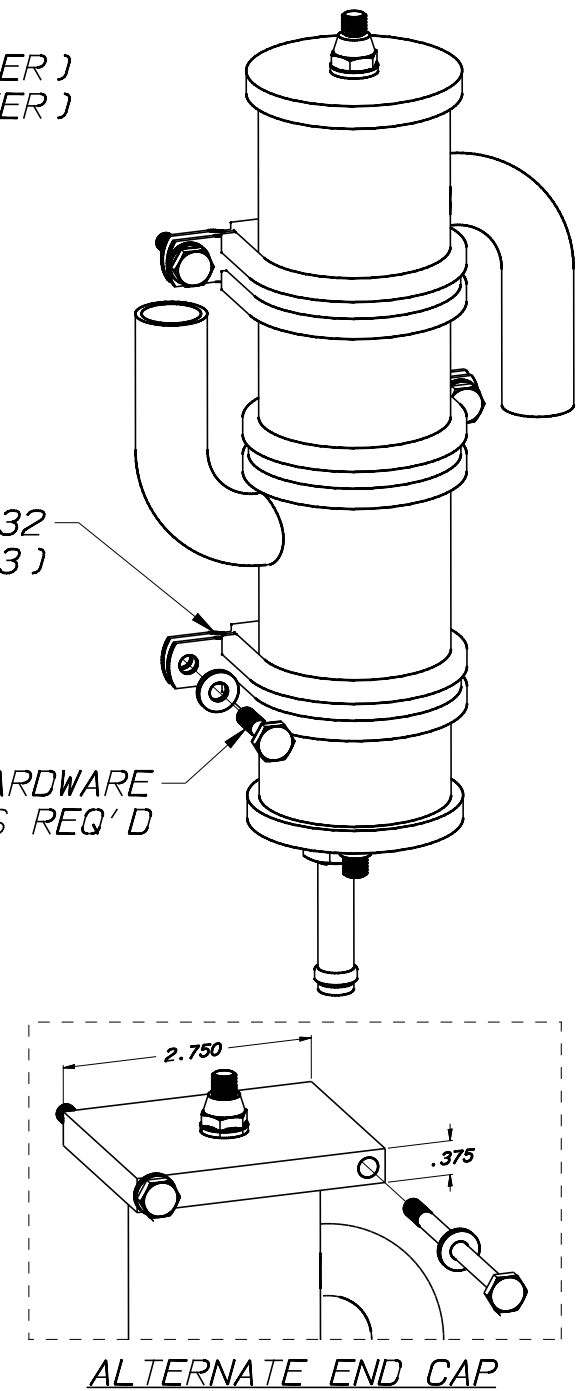


Revision Info.	
Rev	Change Description
-	-

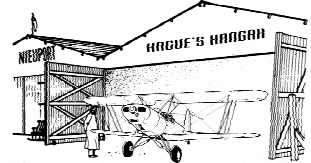
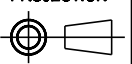


MS21919-DG32
TUBE CLAMP (3)

AN3 HARDWARE
AS REQ'D



Designed	D. M. Hague
Origination Date	6/17/22
Modification Date	-
MATL	6061 ALUM EX. AS NOTED
H.T.	-
FINISH	-
Copyright © 2022 Dana Hague. You may freely distribute, copy, and use this design for non-commercial use only. It is the sole responsibility of the user to determine the suitability of this design for the intended application. This notice must remain on any and all copies.	

	
TITLE: OIL SEPARATOR	
THIRD ANGLE PROJECTION	Sheet Size
	B
Part Number OS1-100	REV. -
KeyCreator Model Info. SHEET 1 of 1	SCALE: 0.500