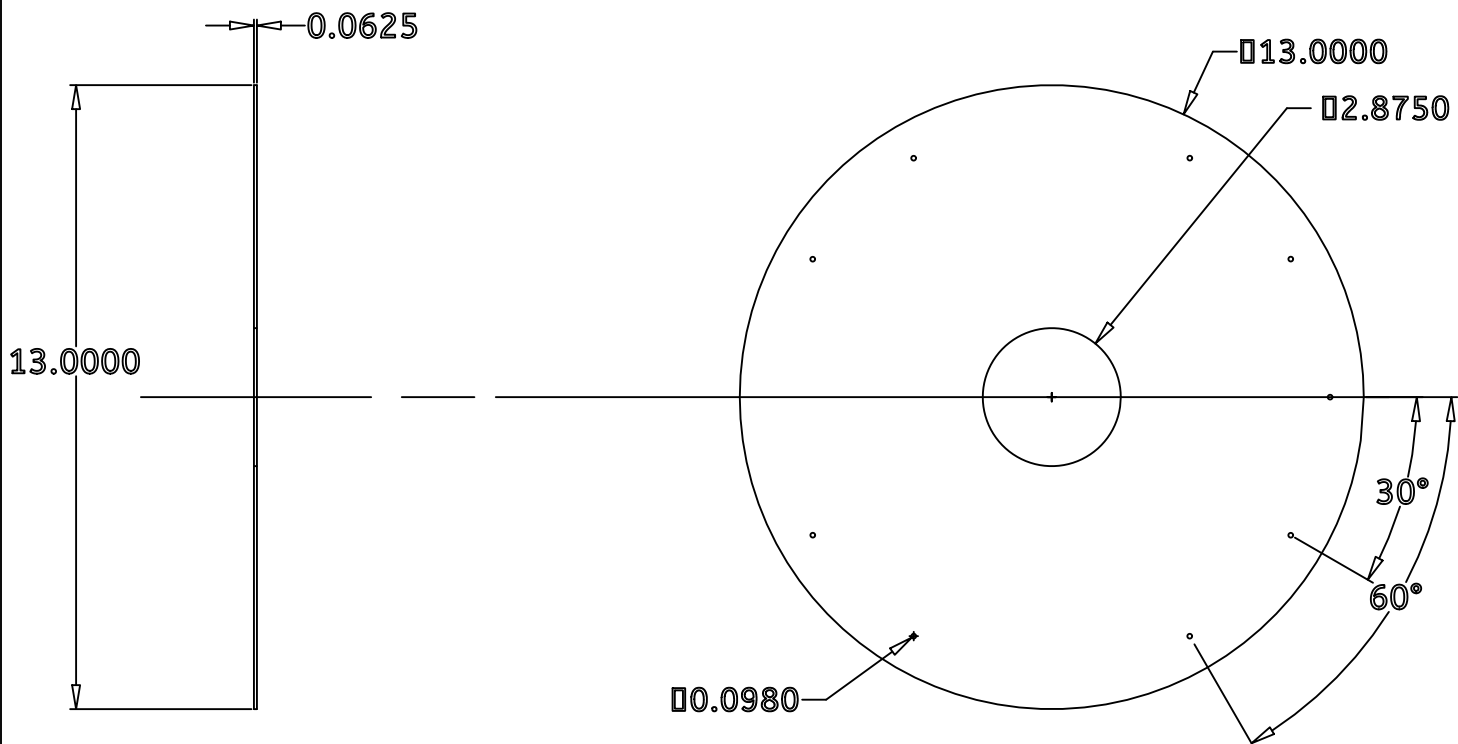


6 x holes size .8125 Location 0,30,60,90,120,150,180

COWL CENTERING JIG
For Lycoming Type Z Crank

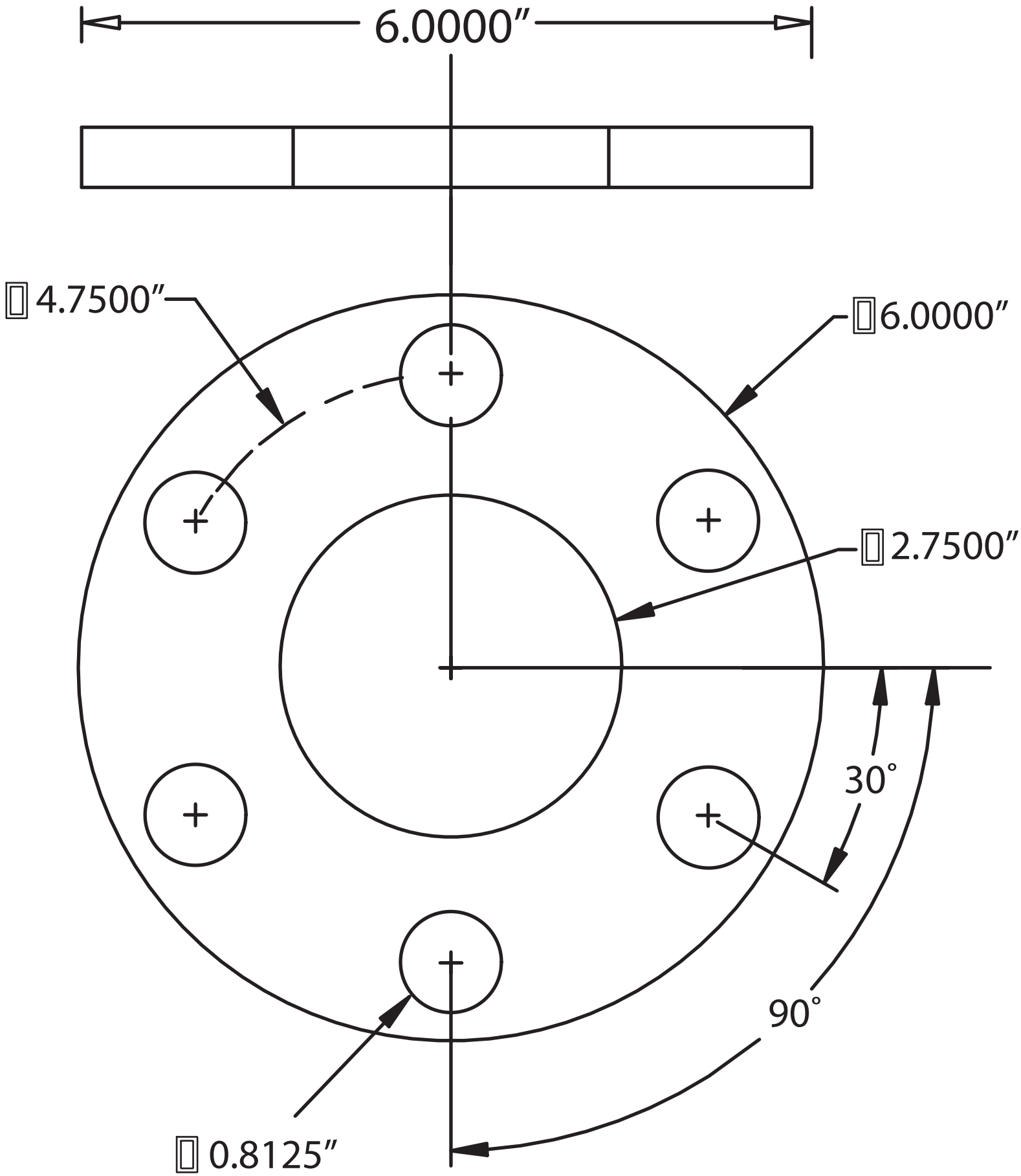
DRAWN BY **DAVID HOWIE**

DRAWING # **HFS20-01**



9 x holes size .0980 Location 0,30,60,120,150,210,240,300,330

COWL CENTERING PLATE-13" NOSEBOWL	
DRAWN BY	DAVID HOWIE
DRAWING #	HFS20-02



6x holes size .8125 inch
 Locations: 0°, 60°, 120°, 180°, 240°, 300°