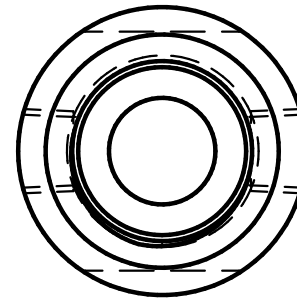
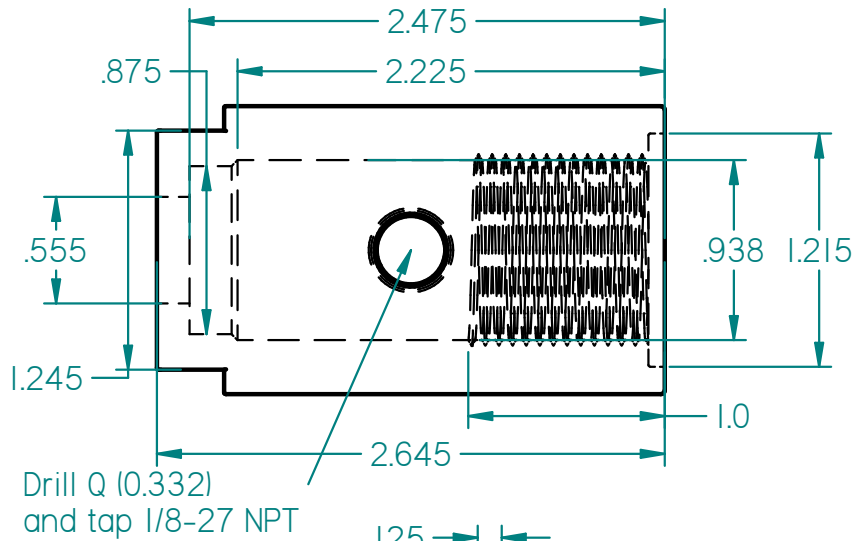
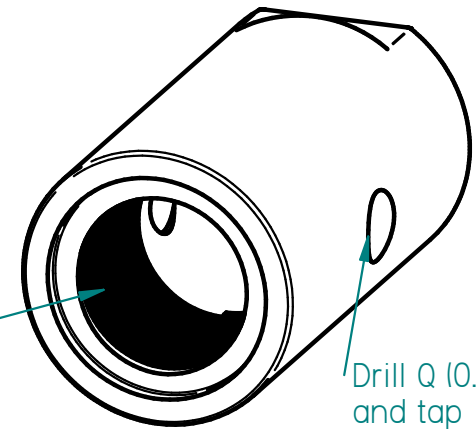


REVISION HISTORY

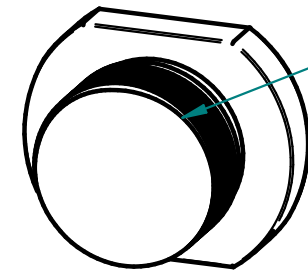
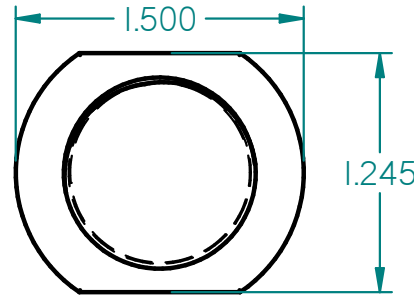
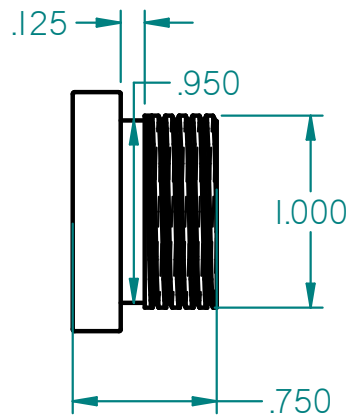
REV	DESCRIPTION	DATE	APPROVED



Tap 1" -14 TPI



Drill Q (0.332)  
and tap 1/8-27 NPT  
both sides



Thread  
1" -14 TPI

	NAME	DATE
DRAWN	Bob	05/06/22
CHECKED		
ENG APPR		
MGR APPR		

**KITPLANES**

TITLE  
Housing, Low Fuel Sensor

UNLESS OTHERWISE SPECIFIED  
DIMENSIONS ARE IN INCHES  
ANGLES ±XX°  
2 PL ±X.XX 3 PL ±X.XXX

SIZE	DWG NO	REV
A	5-6-2022BHDI	
FILE NAME: Low Fuel Detector Housing.dft		
SCALE:	WEIGHT:	SHEET 1 OF 1

SOLID EDGE HOME USE