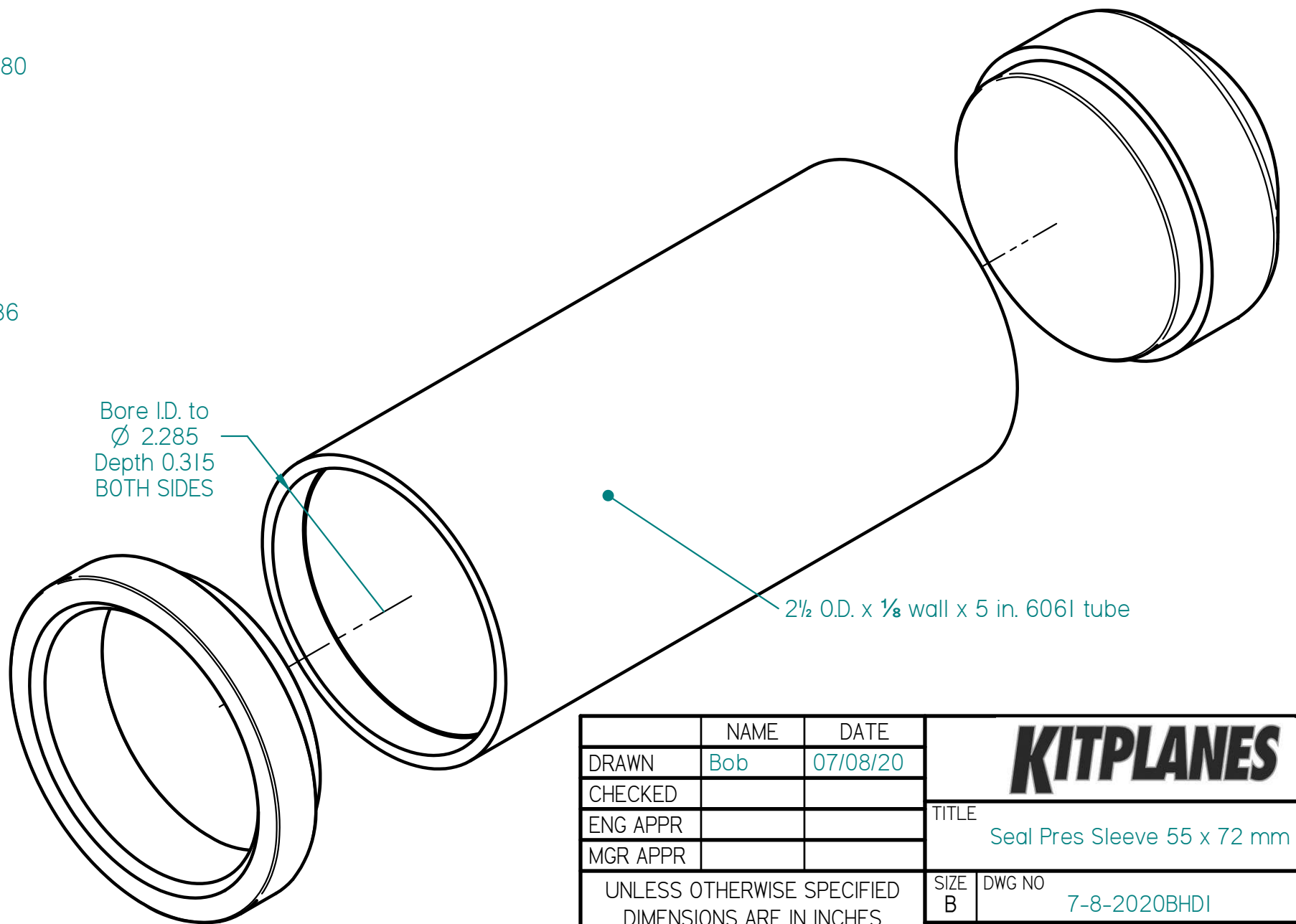


Bore I.D. to
 Ø 2.285
 Depth 0.315
 BOTH SIDES



	NAME	DATE	KITPLANES		
DRAWN	Bob	07/08/20			
CHECKED					
ENG APPR					
MGR APPR			TITLE Seal Pres Sleeve 55 x 72 mm		
UNLESS OTHERWISE SPECIFIED DIMENSIONS ARE IN INCHES ANGLES ±X.X° 2 PL ±X.XX 3 PL ±X.XXX			SIZE B	DWG NO 7-8-2020BHD1	REV
			FILE NAME: Seal press sleeve.dft		
SCALE:		WEIGHT:	SHEET 1 OF 1		