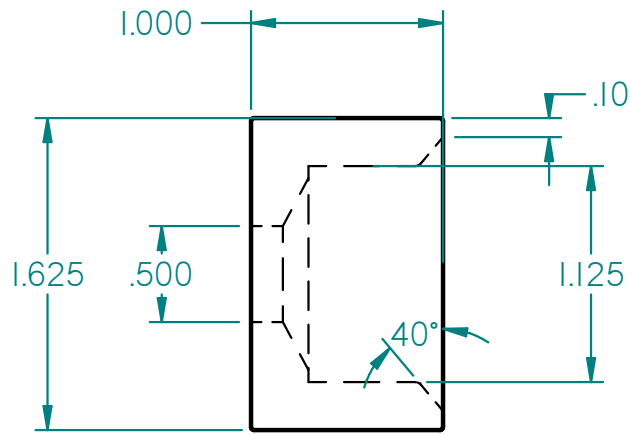
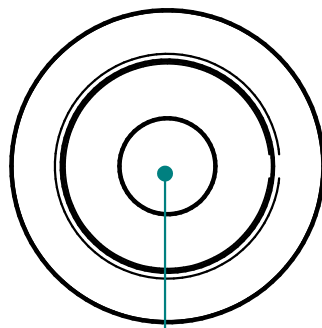
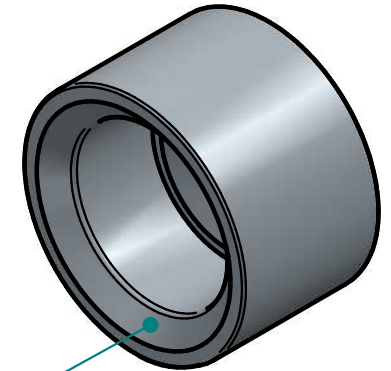
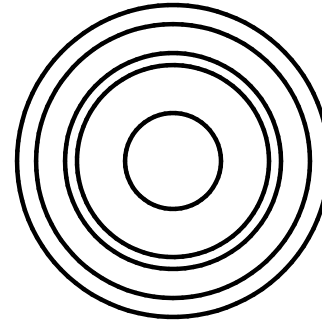


REVISION HISTORY

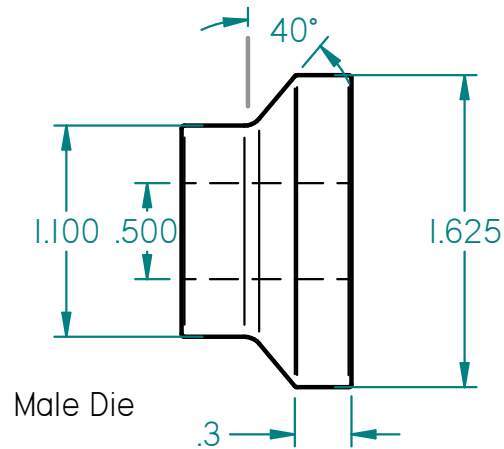
REV	DESCRIPTION	DATE	APPROVED



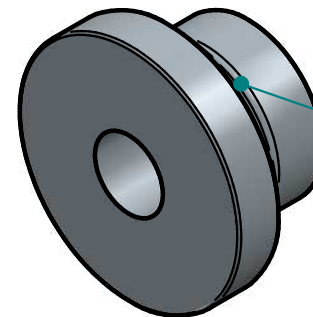
Female Die



Drill for 1/2-inch bolt  
(See March 2020 Kitplanes)



Male Die



Polish to mirror finish

Material: 4140  
Heat Treat to HRC 46-50

	NAME	DATE
DRAWN	bhadley	10/30/19
CHECKED		
ENG APPR		
MGR APPR		

**KITPLANES**

TITLE  
Flare Tool for 1-1/8 hole

UNLESS OTHERWISE SPECIFIED  
DIMENSIONS ARE IN INCHES  
ANGLES ±XX°  
2 PL ±X.XX 3 PL ±X.XXX

SIZE	DWG NO	REV
A	11-10-2019BHDI	
FILE NAME: flare tool female.dft		
SCALE:	WEIGHT:	SHEET 1 OF 1