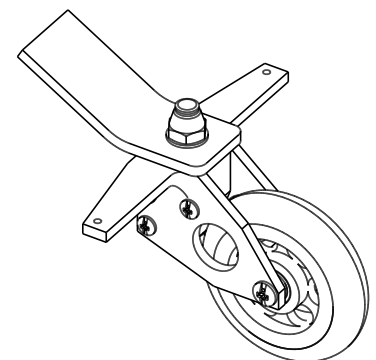


BRACKET
M/F 1/4" ALUM ANGLE
1 EACH RH & LH

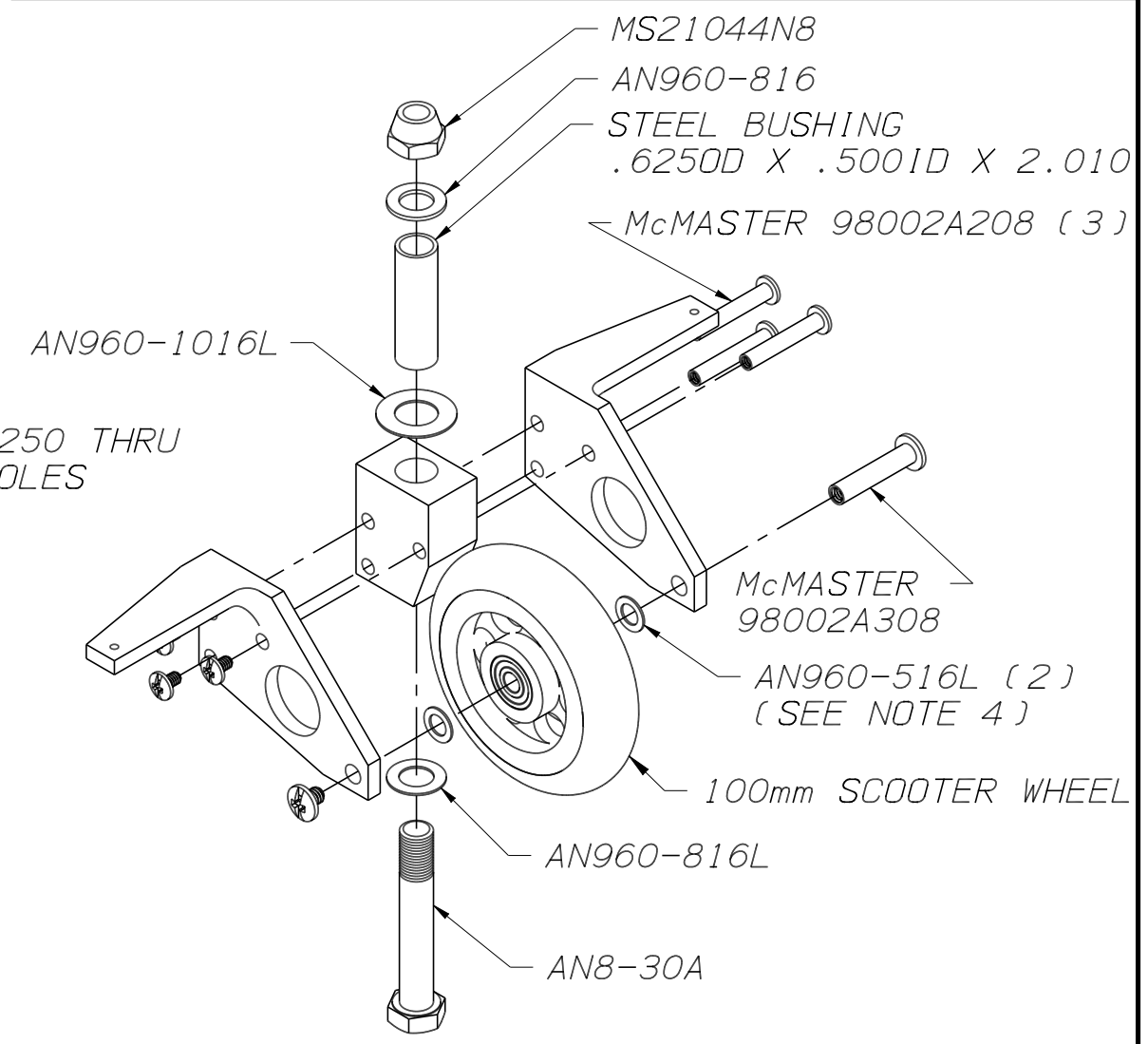
BLOCK
ACETAL OR
NYLON

NOTES:

1. ALL DIMENSIONS ARE NOMINAL, WITHOUT TOLERANCE.
2. FIT BLOCK TO BUSHING FOR SMOOTH PIVOTING MOTION WITHOUT EXCESSIVE PLAY.
3. HOLE SIZE IN ARM AND ARM LENGTH TO SUIT APPLICATION.
4. WHEEL THICKNESS MAY VARY. MULTIPLE WASHERS OR THINNER SHIMS MAY BE REQUIRED.



Revision Info.	
Rev	Change Description
-	-



Designed	D. M. Hague		TITLE: 4" TAILWHEEL ASSEMBLY	
Origination Date	1/15/15			
Modification Date	10/13/16			
MAT'L	AS NOTED			
H.T.	-			
FINISH	-			
Copyright © 2015 Dana Hague. You may freely distribute, copy, and use this design for non-commercial use. It is the sole responsibility of the user to determine the suitability of this design for the intended application. This notice must remain on any and all copies.		THIRD ANGLE PROJECTION 	Sheet Size B	Part Number TW4001 KeyCreator Model Info. Part-704915
		SHEET 1 of 1	REV. - SCALE: FULL	